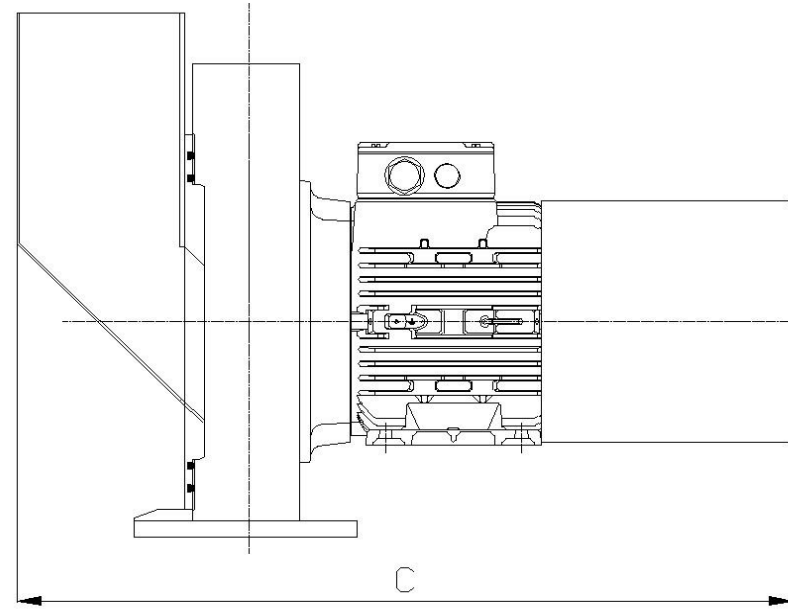
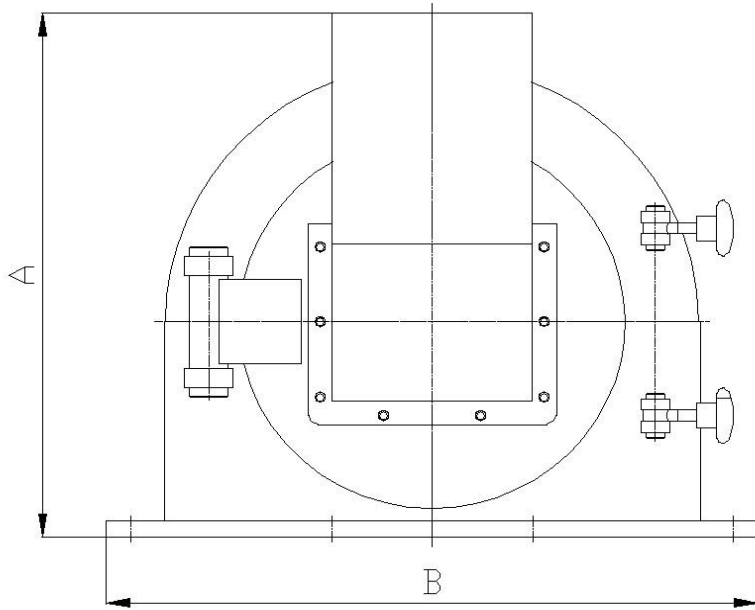


peppink ✱



Specifications	300 W	400 W	600 W	600 W/16	700 W
Dimensions (AxBxC) in mm	560 x 670 x 800	1070 x 1000 x 910	1110 x 1200 x 1150	1200 x 1200 x 1265	1450 x 2180 x 2180
Weight in kg	≈ 300	≈ 450	≈ 1.600	≈ 1.800	≈ 2.500
Mill chamber in mm	ø308 x 100 wide	ø410 x 175 wide	ø620 x 220 wide	ø620 x 235 wide	ø720 x 235 wide
Sieve surface in cm ²	622	1.908	3.039	4.600	5.340
Application	Production mill	Production mill	Production mill	Production mill	Production mill