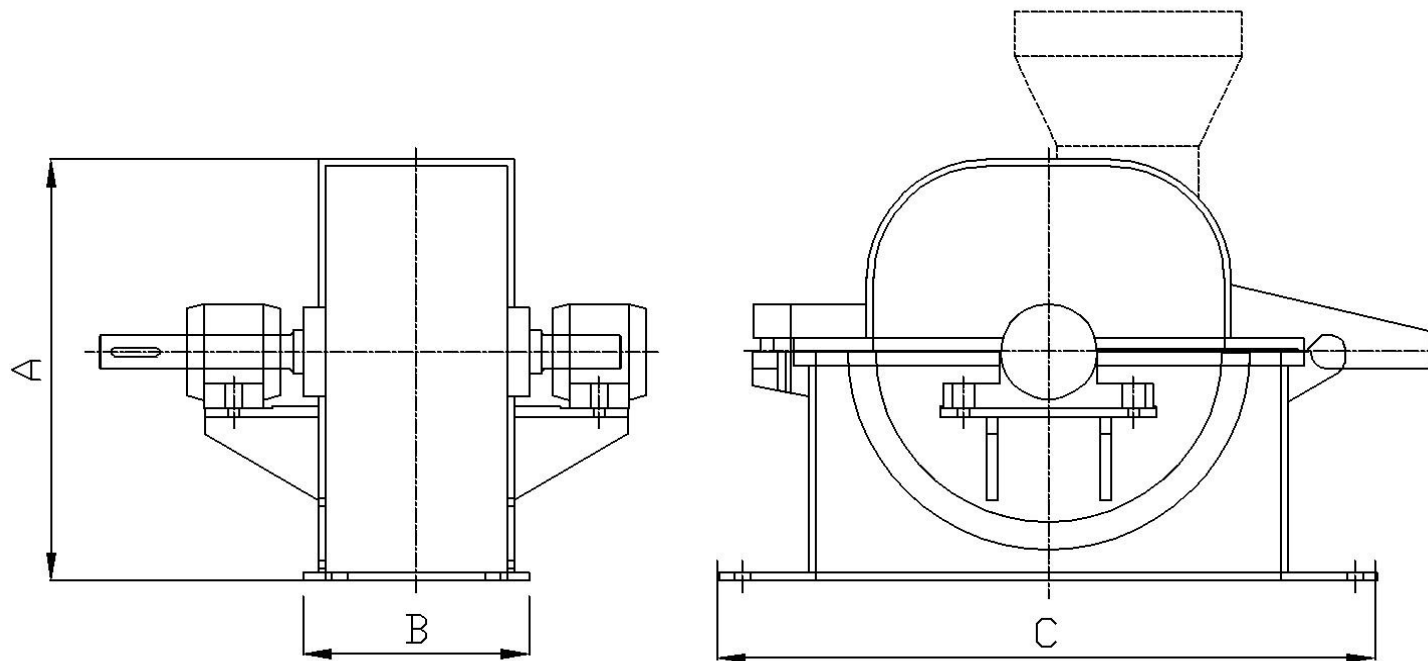


peppink ✱



Specifications	M 200	M 300	M 400
Dimensions (AxBxC) in mm	245 x 190 x 345	380 x 200 x 580	520 x 420 x 700
Weight in kg	≈ 100	≈ 225	≈ 350
Mill chamber in mm	∅200 x 116 wide	∅300 x 160 wide	∅410 x 290 wide
Sieve surface in cm ²	365	754	1.870
Application	Production mill	Production mill	Production mill