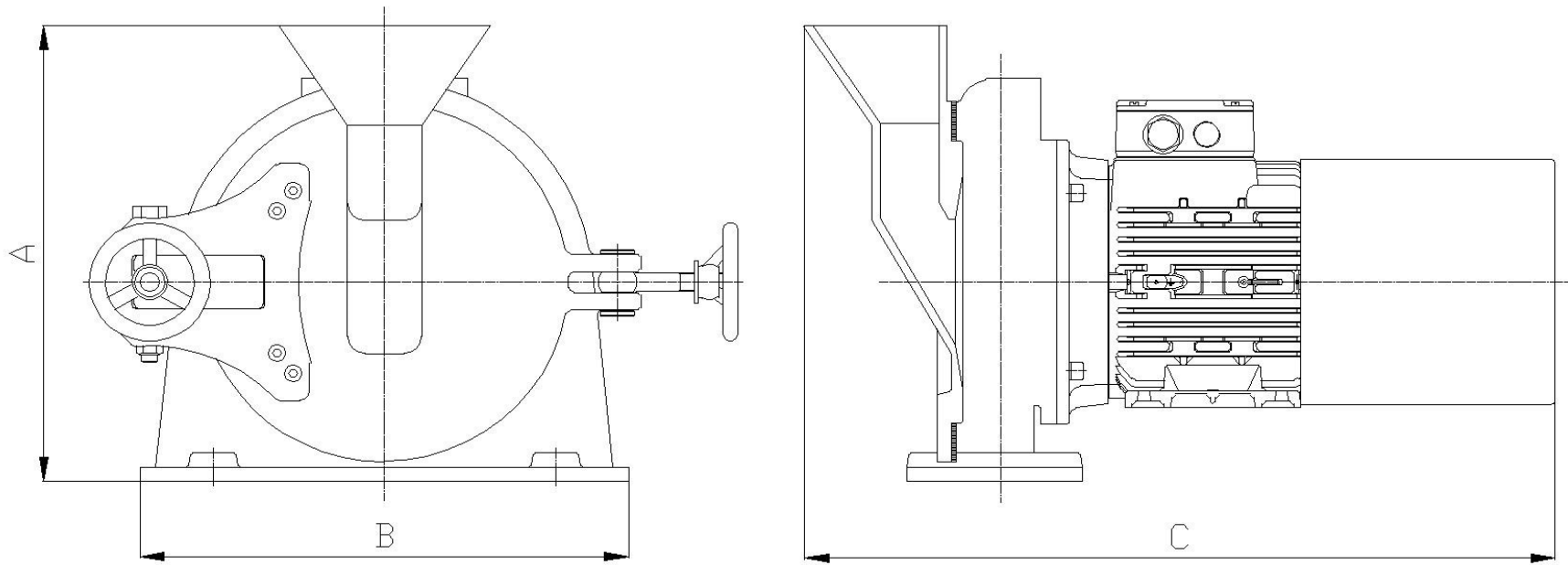


peppink ✱



Specifications	100 AN	200 AN	300 AN	550 AN
Dimensions (AxBxC) in mm	235 x 185 x 340	350 x 420 x 560	550 x 500 x 760	865 x 850 x 770
Weight in kg	≈ 36	≈ 60	≈ 150	≈ 400
Mill chamber in mm	∅100 x 20 wide	∅200 x 38 wide	∅310 x 42 wide	∅565 x 100 wide
Sieve surface in cm ²	62	198	346	998
Application	Laboratory & Production mill	Laboratory & Production mill	Production mill	Production mill